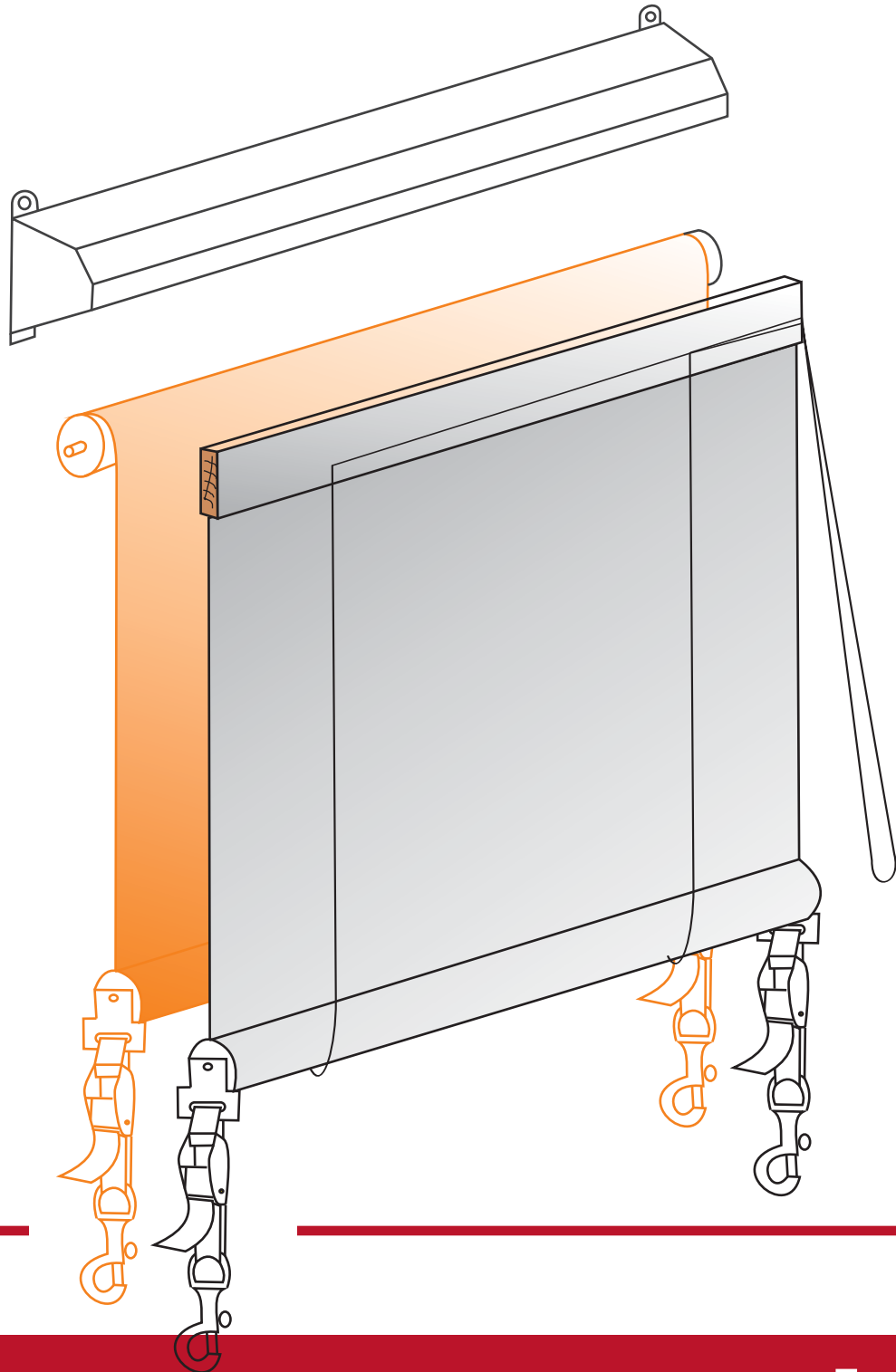


Verandah blinds



Verandah Blinds / Straight Drop Awnings

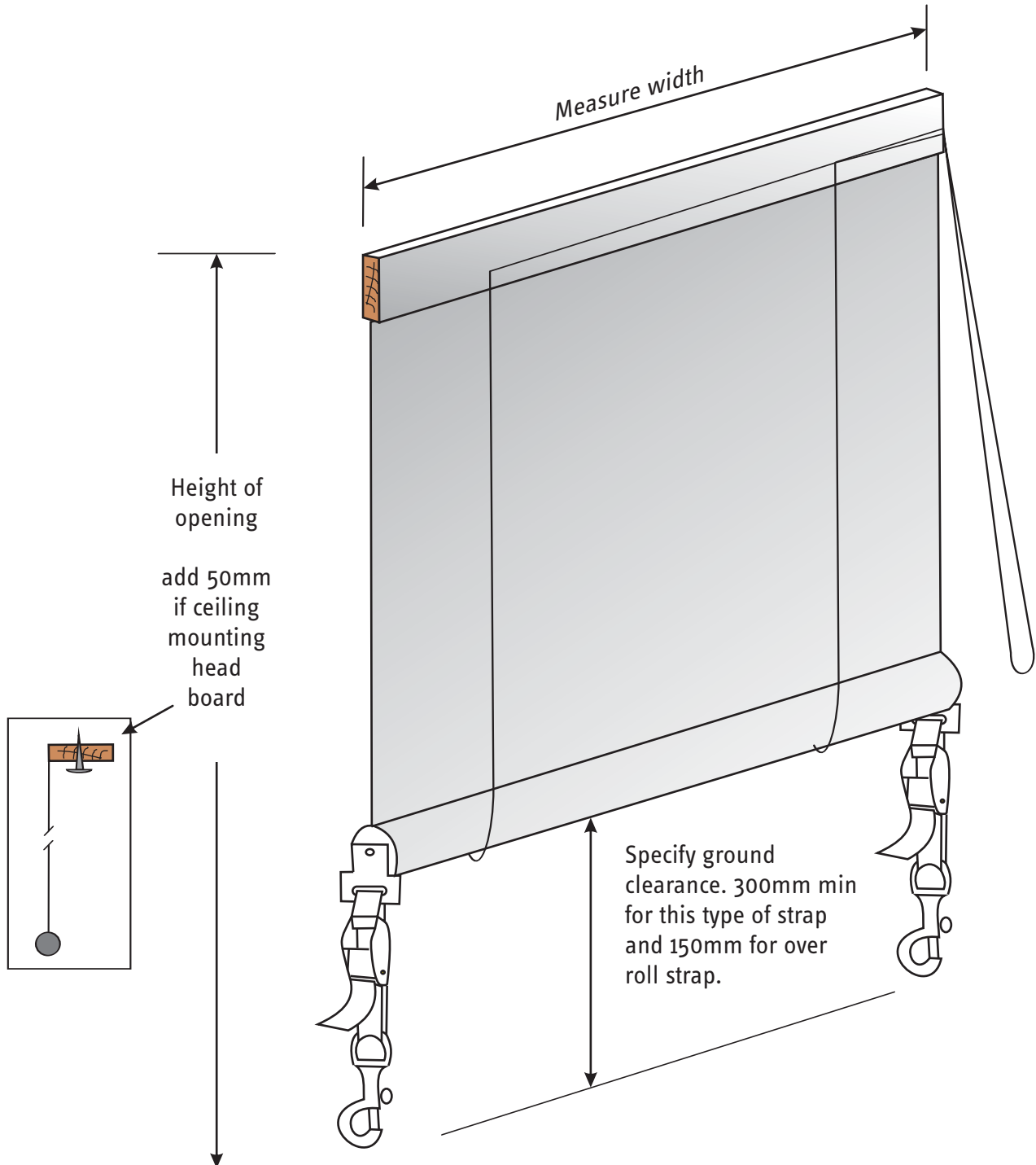
Overview

Verandah blinds, also known as Straight Drop awnings, are made in three types - fixed timber top batten, spring top roller and gearbox driven. Hoods can be added and the fixed timber type will need a pulley kit.

Measuring - batten top

Measuring a verandah blind is pretty simple - you just need width and drop. However care needs to be taken to select the method of installation and tie downs carefully at time of order as this will affect the drop length of blind.

A pulley kit is supplied fitted with this blind. Please specify control side for the pulley kit by considering the blind as if you are facing the operating side of the blind.

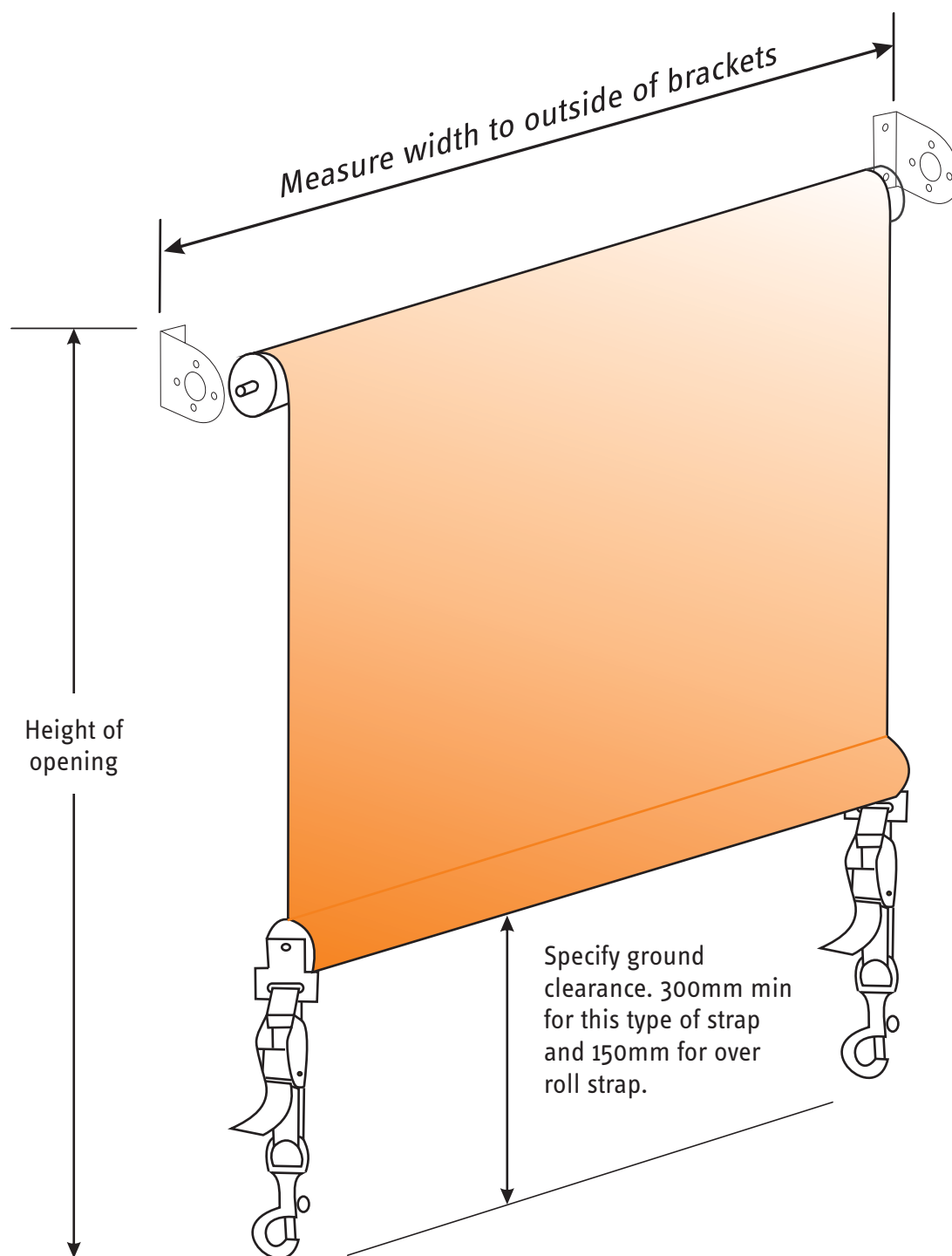


Add 10% Goods and services tax (GST) to all prices

Verandah Blinds / Straight Drop Awnings

Measuring - spring or gear box

Measuring a verandah blind is pretty simple - you just need width and drop. A gear box blind will need a crank handle - a good rule of thumb for selecting a crank handle is drop - 1500mm and then select the next longest crank handle.



Add 10% Goods and services tax (GST) to all prices

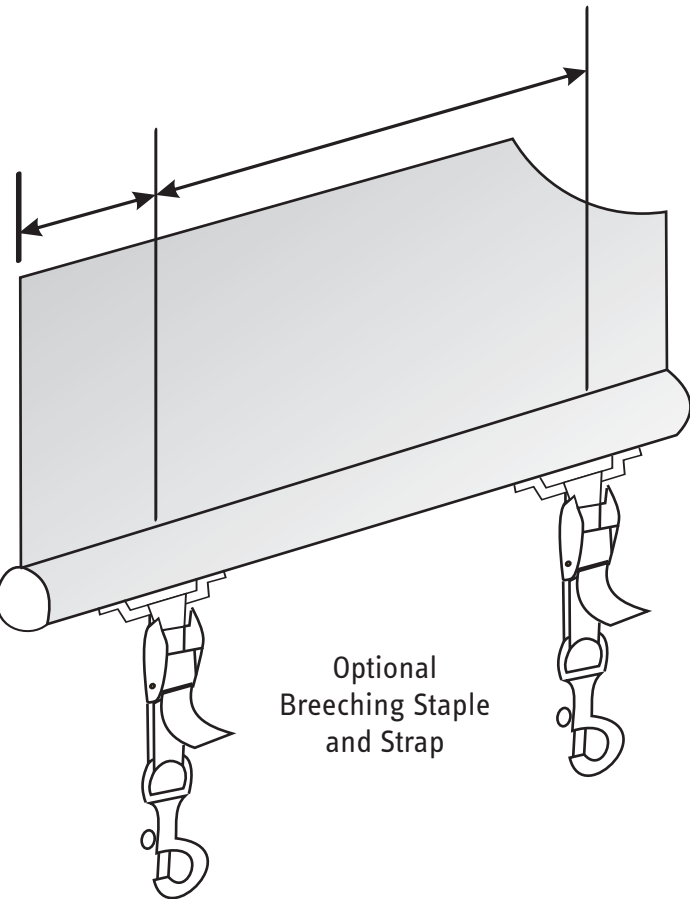
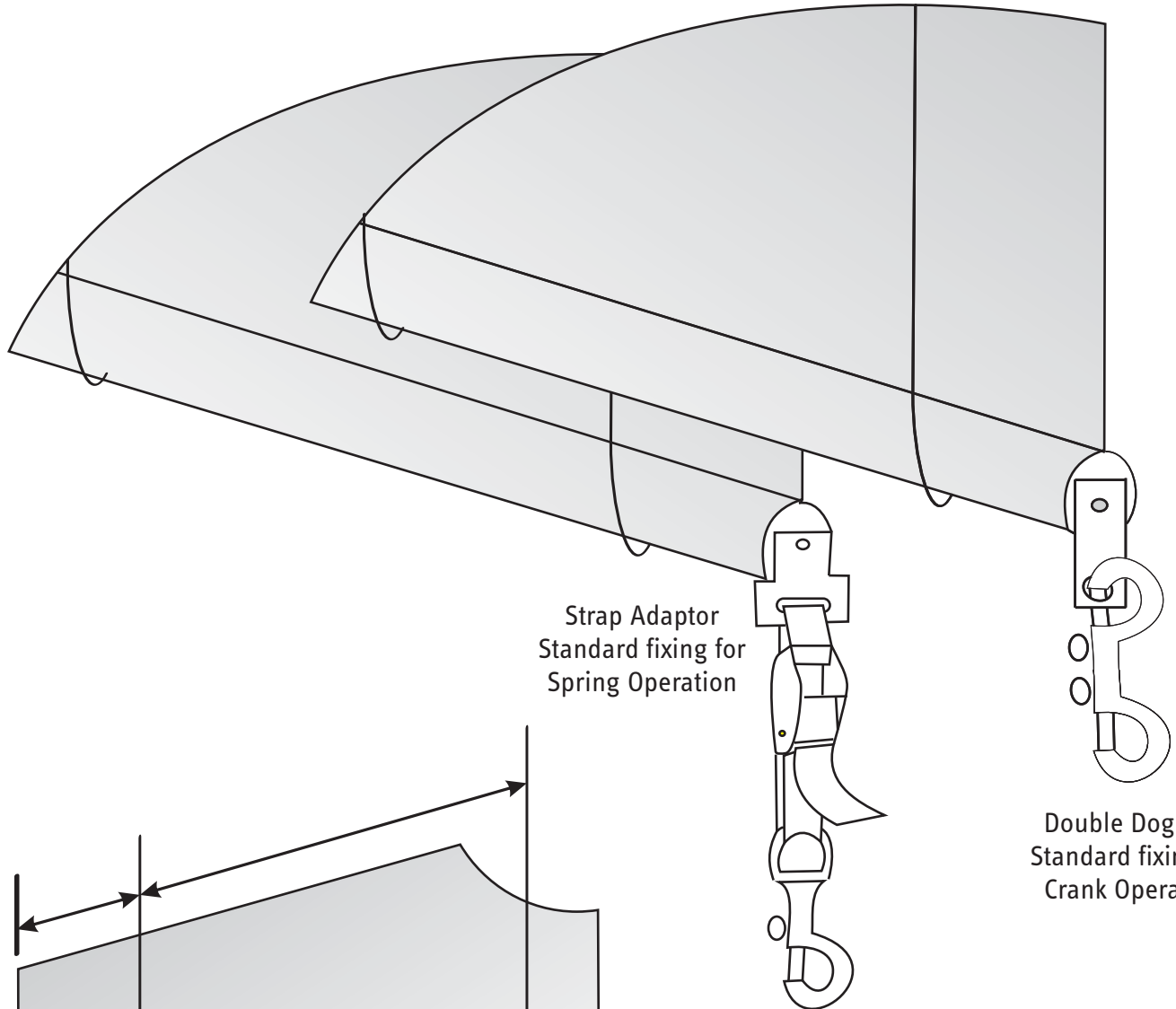
Phone 08 8244 7888 Fax 08 8244 7900 www.pinz.com.au © Copyright Pinz Pty Ltd 2008



Verandah Blinds / Straight Drop Awnings

Tie down straps

These are the most common bottom fixing and tie down strap types. Specify which strap type you would like on your order.



Breeching staples and straps are another option.

Specify the distance between straps for breeching staple straps.

Install a cellar lift or saddles for attaching the dog clips.

Add 10% Goods and services tax (GST) to all prices

Verandah Blinds / Straight Drop Awnings

Installing

Installing the Roller Tube Assembly - spring operated blinds

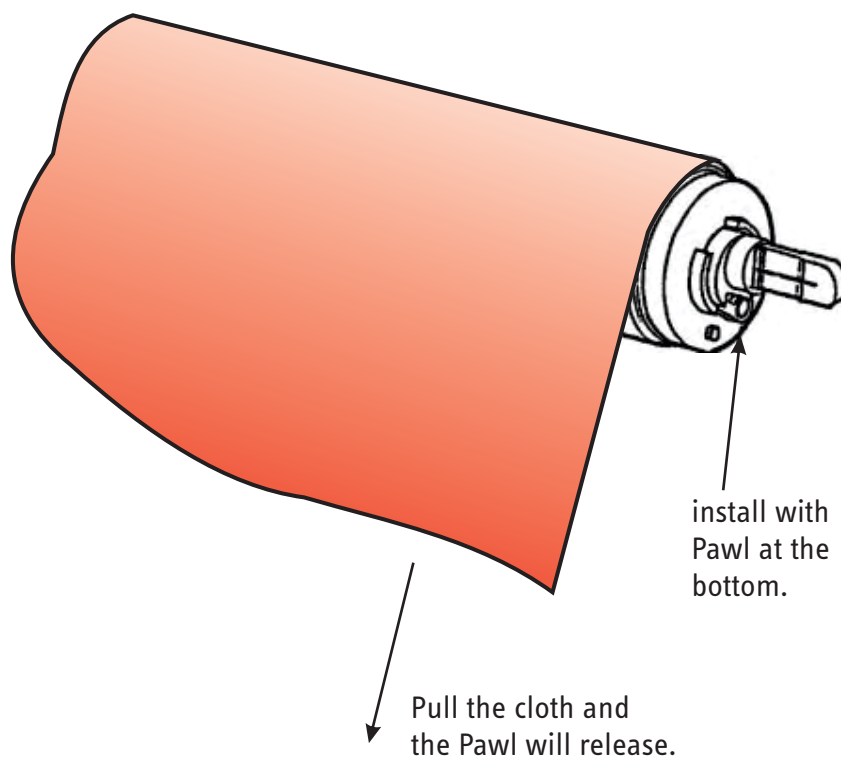
The spring in the roller tube has been pre-tensioned in the factory. Place the assembly into the brackets of the headbox or brackets.

NOTE: For over roll the spade and pawl should be on the right. For under roll they should be on the left. Ensure pawl is on the bottom.

Pulling down on the bottom rail releases the pawl. Check to ensure enough tension has been placed on the spring.

To increase tension pull awning down about 600mm, lock pawl into place and lift out. On the pawl and spade end, roll one full turn and replace, check tension.

To decrease tension do the opposite.



Add 10% Goods and services tax (GST) to all prices

Phone 08 8244 7888 Fax 08 8244 7900 www.pinz.com.au © Copyright Pinz Pty Ltd 2008

Pinz